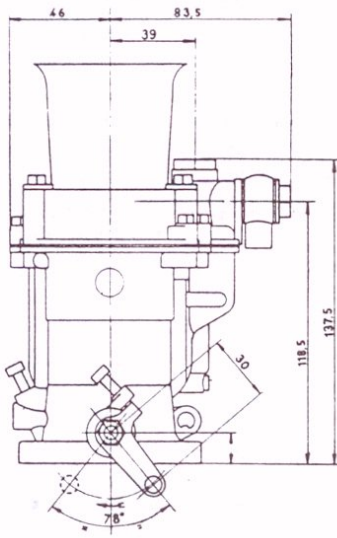
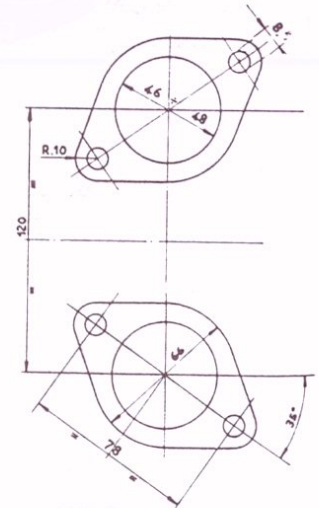
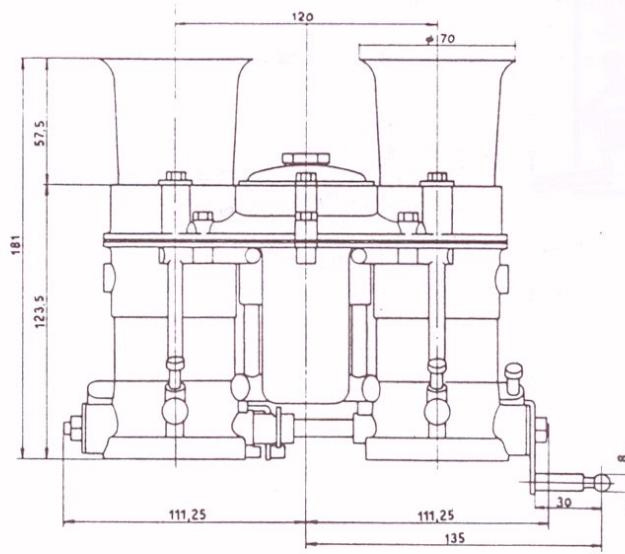


MISURE DI INGOMBRO
In mm.



OVERALL DIMENSIONS
In mm.



10.111's applica power for working from Dual Engine Dual Class to Custom Sheet Paper and 3D Case.